



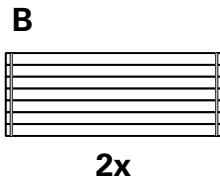
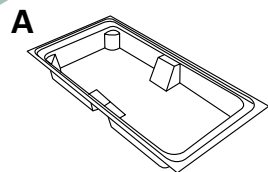
NORTENE®

URBAN 90

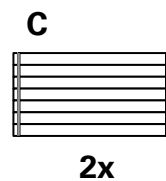
URBAN 120

URBAN 150





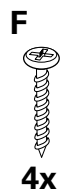
2x



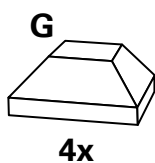
2x



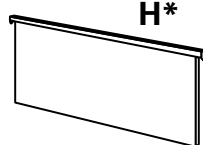
4x



4x

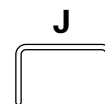


4x

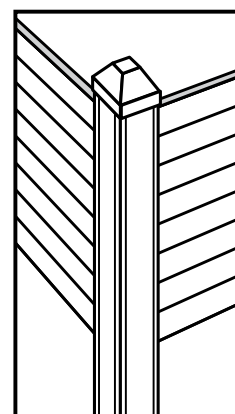
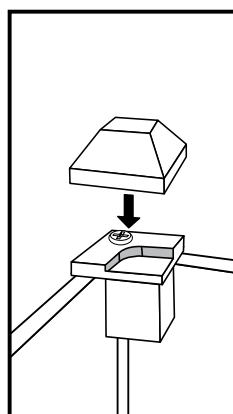
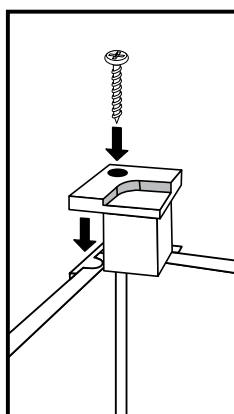
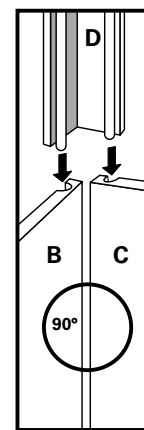
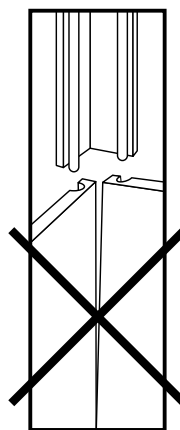
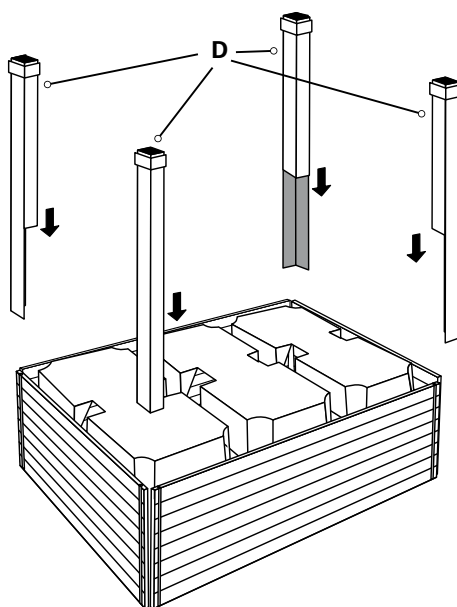
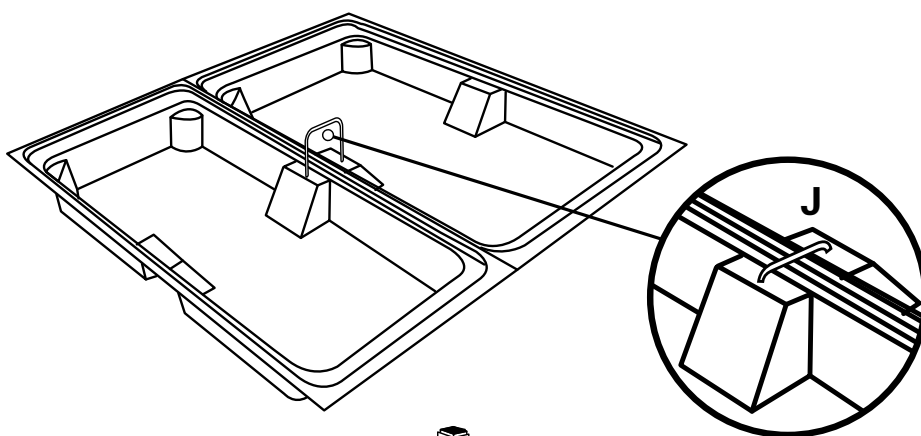


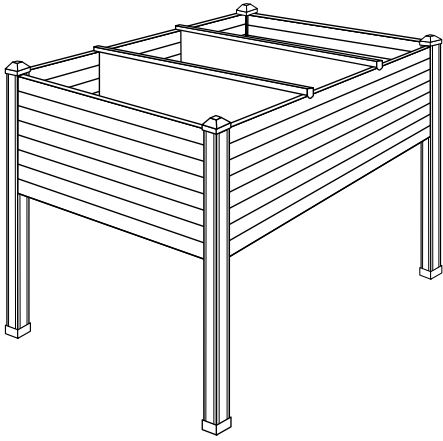
H*

*90 x 2
120 x 3
150 x 4

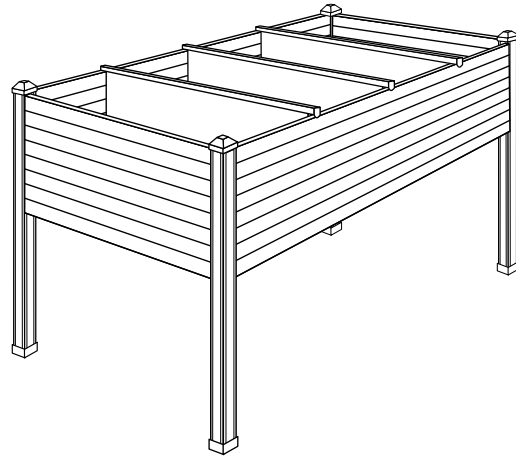


J

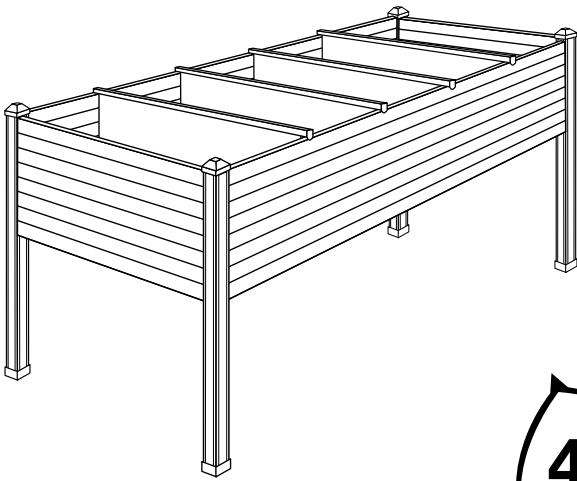




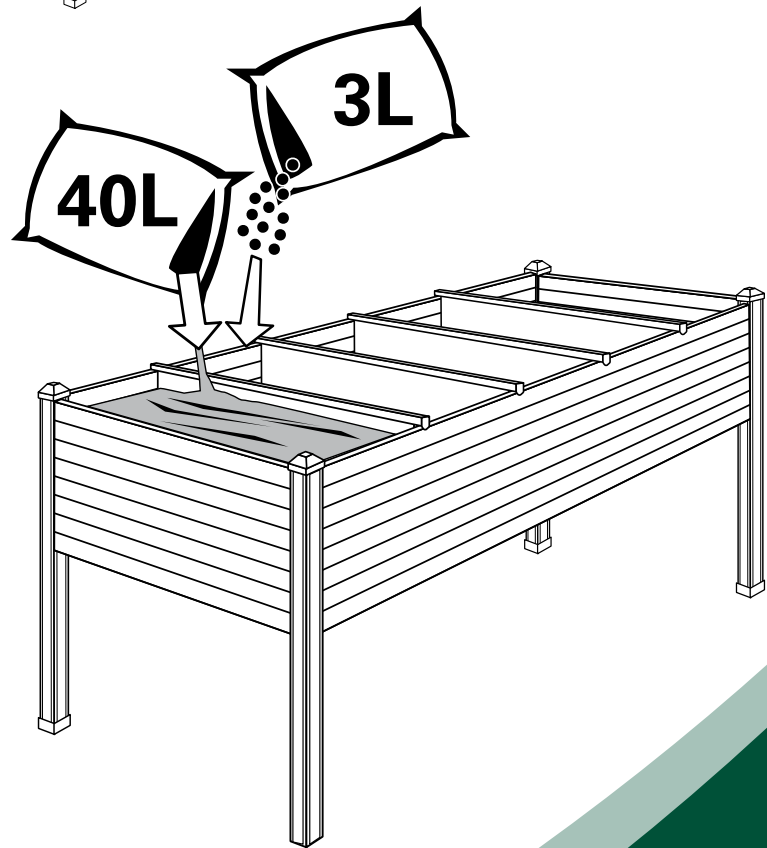
90x60x75 cm



120x60x75 cm



150x60x75 cm



ES- Interma Nets S.A - Ronda de collsabadell, 11 (Pol.Industrial)-
08450 LLINARS DEL VALLES (Barcelona) - SPAIN /
FR- Interma France - 13, route de Préaux -53340 BALLÉE- FRANCE /
IT- Viscoret SRL Plastic division - Via Garcia Lorca, 27 -
23871 LOMAGNA (LC) - ITALY /
PL -Interma Polska Sp. z.o.o.- ul. Lutomińska 46 95-200 PABIANICE -
POLAND www.intermapolska.pl /
RO- www.interma.ro / HU- Interma Eastern Europe KFT- Baross u.
85/2- H-2730 ALBERTIRSA -
HUNGARY www.intermaskft.hu